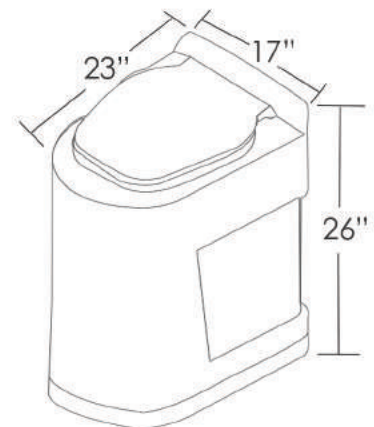


## FEATURES

- Waterless incinerating toilet, no need for septic systems or compost
- 12V DC or 120V / 240V AC
- Operates in cold and hot climates
- Operates completely off grid
- Gas fired toilet
- Easy to install, maintain and use
- Can be installed in fixed or mobile applications
- Light weight and can be easily transported

## DIMENSIONS



Seated Height: 22"  
Weight: 80 lbs

## MODELS

- TinyJohn-P12
- TinyJohn-P120
- TinyJohn-P240

## CAPACITY

- Daily usage: 3 people or 15 Times

## HOW IT WORKS

Lift the toilet lid and do your business. Then close the lid after usage



Press the Start button. The waste will drop into the burn chamber and the burner starts igniting.



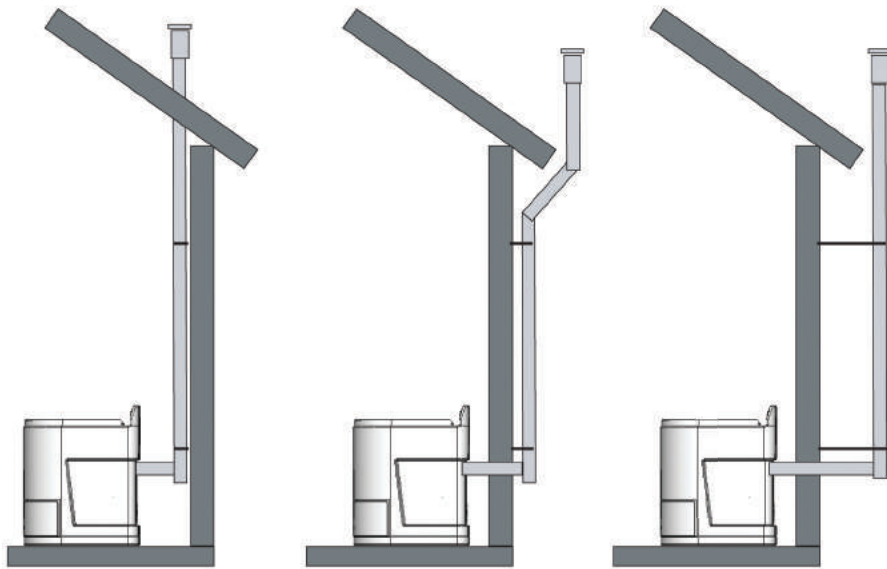
Next user lift the toilet lid, the burner shuts off and it can be used immediately.

# TinyJohn™

## TECHNICAL DATA

Maximum Amp	1.5 Amp
Electrical Consumption	1.5 Amp/hr(12VDC) 0.15 Amp/hr(120VAC)
Vent Size	2" Single Wall
Gas Consumption	0.7 lbs (Urine) / 0.18 lbs (Waste)
Length	23"
Width	17"
Height	26:
Weight	80 lbs
Operating Voltage	12V DC or 120V / 240V AC
Material	Polypropylene Plastic
Temperature	Operation: -40 to 120 F

## Installation



- Completely self-contained. No need to install any separate tanks (except fuel)
- Must be installed inside a weather proof building/structure
- Requires 5 inches clearance from any wall
- 1 ft clearance is recommended front of the toilet in order to open the tray clean out port
- Should not be installed or operated in an area where there is a risk of an accumulation of flammable vapors or dust



6148 Getty Dr. North Little Rock, AR 72117  
Phone: 1866.ECOJOHN 714.568.1077 Fax: 714.568.1068

www.ECOJOHN.com  
info@ECOJOHN.com

## CLEANING AND MAINTENANCE

Periodically, the burn chamber needs to be emptied of sterile ash. Cleaning of ashes can be done from the front of the toilet; simply slide out the tray and empty the ashes.

Check the gas once a month to make sure you have enough gas to operate.

## BOWL LINERS

For best results, use Original Bowl Liners with your TinyJohn incineration toilet.

Carefully designed for proper fit into the bowl, original bowl liners will help your incineration toilet last longer, run smoother and stay cleaner.

## SAFETY

The TinyJohn have also been approved by multiple European laboratories (earning the CE mark for excellence in product safety and design)